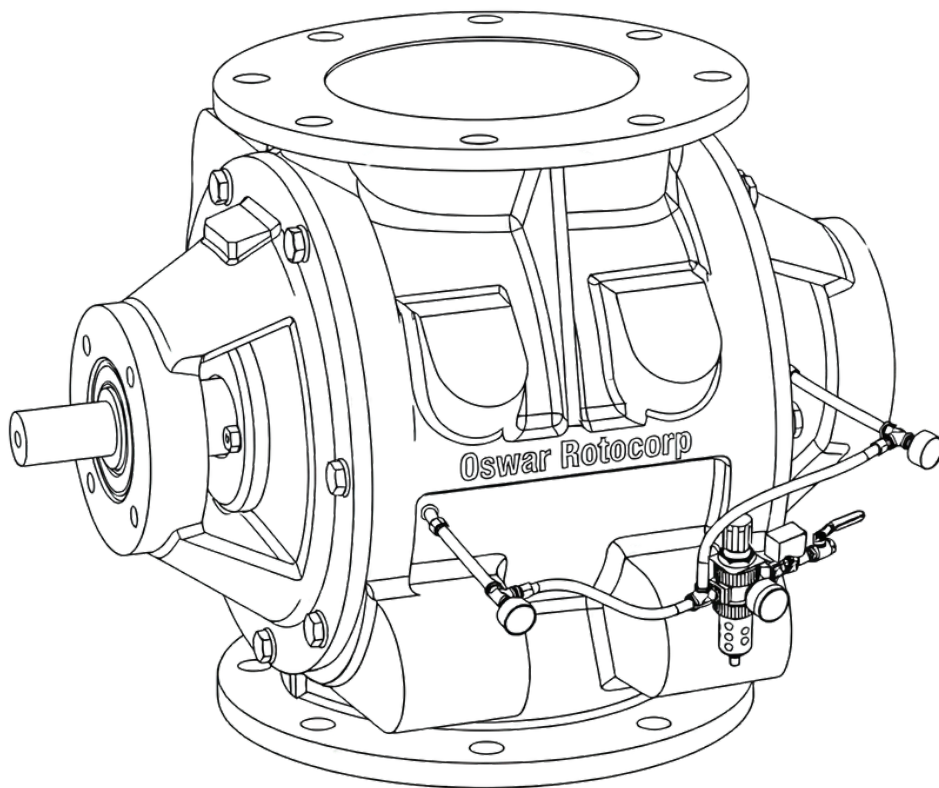
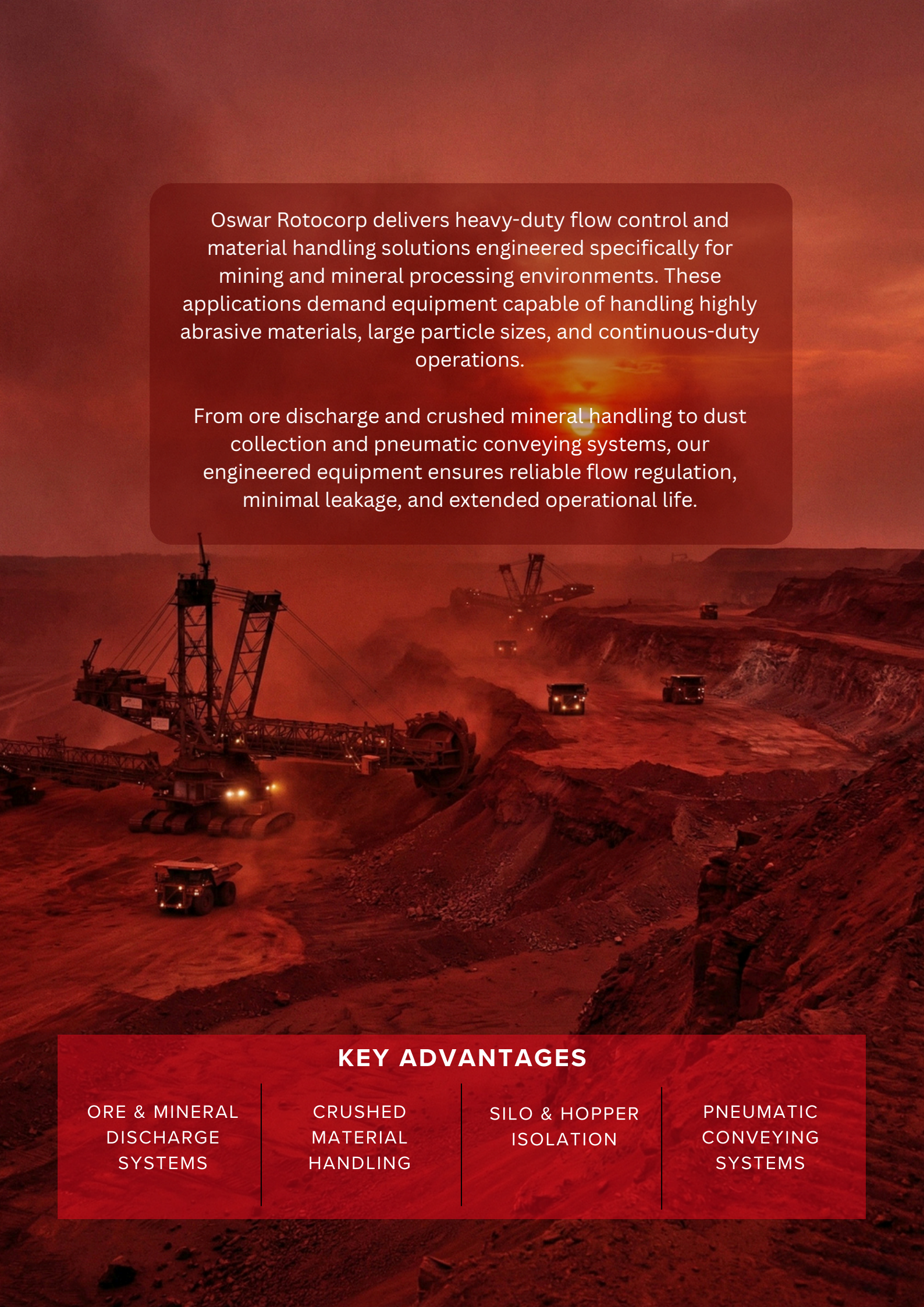


MINING & MINERALS

ENGINEERED FLOW CONTROL FOR ABRASIVE
& HEAVY-DUTY APPLICATIONS



OSWAR
rotocorp



Oswar Rotocorp delivers heavy-duty flow control and material handling solutions engineered specifically for mining and mineral processing environments. These applications demand equipment capable of handling highly abrasive materials, large particle sizes, and continuous-duty operations.

From ore discharge and crushed mineral handling to dust collection and pneumatic conveying systems, our engineered equipment ensures reliable flow regulation, minimal leakage, and extended operational life.

KEY ADVANTAGES

ORE & MINERAL
DISCHARGE
SYSTEMS

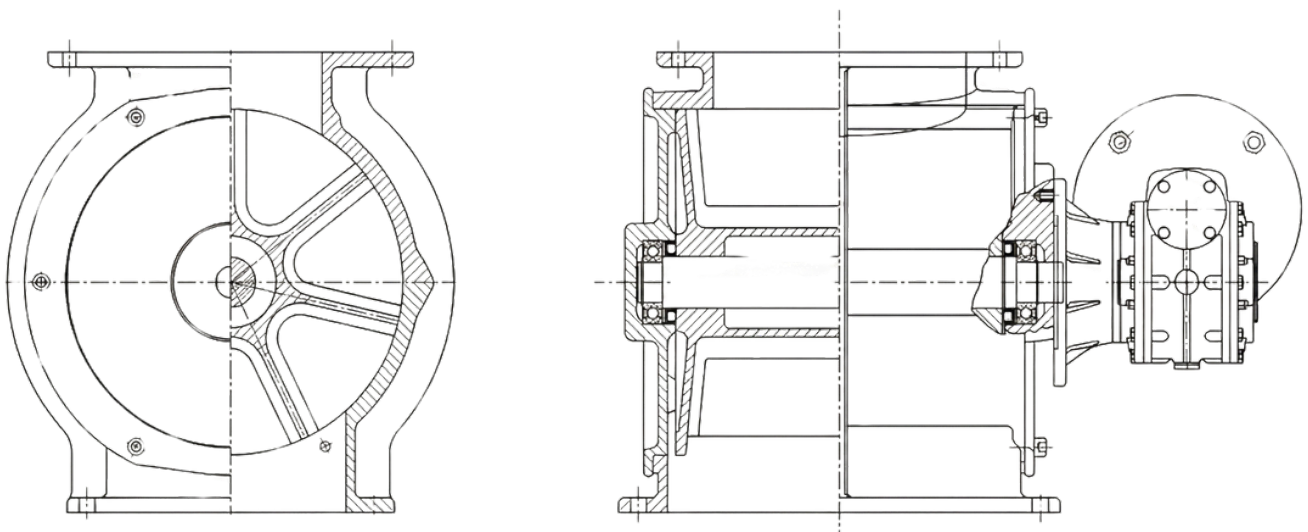
CRUSHED
MATERIAL
HANDLING

SILLO & HOPPER
ISOLATION

PNEUMATIC
CONVEYING
SYSTEMS

BUILT FOR ABRASION, IMPACT & CONTINUOUS LOAD

Mining and mineral processing environments require equipment that can withstand extreme abrasion and mechanical stress. Our solutions are constructed using heavy-duty fabricated housings, reinforced internal components, and abrasion-resistant liners to ensure long service life. Precision-engineered rotary assemblies maintain controlled material discharge while minimizing air leakage in pneumatic systems. Wear-resistant coatings, hardened components, and robust bearing arrangements are integrated to ensure operational reliability.



ENGINEERING FEATURES

- Heavy-Duty Rotary Valves for Mineral Discharge
- Abrasion-Resistant Rotary Valves for Fine Powders
- Slide Gate Valves for Hopper Isolation
- Diverter Valves for Multi-Line Routing
- Flap Valves / Gravity Gates for Dust Systems
- Pneumatic Pressure Rotary Valves for Conveying

DRIVING RELIABILITY IN TOUGH ENVIRONMENTS

- **Enhanced Wear Resistance**
- **Stable & Controlled Material Discharge**
- **Reduced Leakage in Pneumatic Systems**
- **Extended Equipment Service Life**
- **Lower Maintenance Frequency**
- **Improved Plant Efficiency**



OSWAR

rotocorp

Corporate Office

Jaipur, Rajasthan India
Nagpur, Maharashtra India

Sales Inquiries

info@oswarrotocorp.com

Helpline

[+44 7917 128505](tel:+447917128505) | +91 77422 36474

Copyright © 2026 OSWAR ROTOCORP. All Rights Reserved. OSWAR® is a registered trademark of **OSWAR ROTOCORP**. This brochure makes no offers, representations or warranties (express or implied), and information and data contained in this brochure are for general reference only and may change at any time.